

*230SL 250SL
280SL*

*2018 Parts
Catalog*



MILLER'S INCORPORATED

General Information

We are dedicated to providing quality parts and accessories for the Mercedes Benz. All parts listed in this catalog are new, original or the finest reproduction available.

Ordering Information - To be sure you receive the part you want, include the year, model and serial number of your Mercedes. All orders must be pre-paid by check, credit card, or money order. International orders must be prepaid by wire transfer or PayPal. **WE DO NOT SHIP OPEN ACCOUNT.** There is no minimum order, we appreciate your business.

International Shipments - Shipping, packing and insurance charges on shipments to Hawaii, Alaska and outside the USA will be quoted on receipt of your order. Your order will be shipped after shipping charges have been paid.

Domestic Shipments - All orders are shipped by the fastest, most economical method. Please include your street address for UPS or FEDEX shipping. Shipping, packing, and insurance charges will be added to your order based on the actual size and weight of your order. Next Day Air, 2nd Day Air & 3rd Day Air services are available at an additional charge. The minimum shipping charge is \$9.00.

Core Deposit - All cores must be returned prepaid in a **REBUILDABLE** condition before Core Deposits are refunded. Core Deposits may be avoided by sending the exchange part prepaid with your order.

Return Policy - Any part that is not satisfactory may be returned in new condition in the original packaging within 30 days of purchase for a refund, less 20% restocking charge. Returns must be shipped with a copy of the invoice enclosed. Electrical, electronic, "special order", carpets, interior, convertible tops, floor mats and books/manuals are **NOT RETURNABLE.** No credits or refunds will be issued on merchandise without prior approval.

Damaged Shipments - If your order is damaged in shipment, please contact us immediately and save all packing materials. We cannot be responsible for damaged or lost items unless we initiate the claim. All shipments are insured for full replacement value.

Warranty - All products supplied are of the highest quality and workmanship. Warranty is subject to manufacturer's guarantee and all other liability is waived. We cannot warranty any part installed improperly. Warranty is limited to replacement of defective part and is not extended to any further damage incurred or labor charges.

All prices are subject to change without notice

We are not an authorized Mercedes Benz Dealer

Table of Contents

230SL - 250SL - 280SL

<i>Subject</i>	<i>Page</i>	<i>Subject</i>	<i>Page</i>
RUBBER KITS	6 & 7	FRONT WINDSHIELD	19
ENGINE - GASKET / FILTERS / BELTS	8	ELECTRICAL - LIGHTING	21
ENGINE - IGNITION / TUNE UP	8	INSTRUMENTS / GAUGES	22
ENGINE - GENERAL	9	ELECTRICAL - OTHER	23
ENGINE - FUEL SYSTEM	10	LIGHT BULB / FUSES	23
ENGINE COOLING / RADIATOR	11	DOORS	23
TRANSMISSION	12	HOOD	25
FRONT AXLE	12	FRONT GRILLE	26
CLUTCH	12	INTERIOR CHROME AND TRIM	27
HUBCAPS / BEAUTY RINGS	13	BUMPERS	26
SUSPENSION - REAR AXLE	13	TRUNK	26
DRIVE SHAFT	13	SUN VISORS	26
SHOCK ABSORBERS	13	EXTERIOR CHROME & TRIM	27
BRAKE PARTS	15	INTERIOR \ CARPET SETS	28
STEERING WHEEL / HORN	17	CONVERTIBLE TOPS	28
MIRRORS	17	HARDTOPS	30
EXHAUST	17	SHEETMETAL / FLOOR PANS	31
HEATING / AIR CONDITIONING	18		
RUBBER	18		



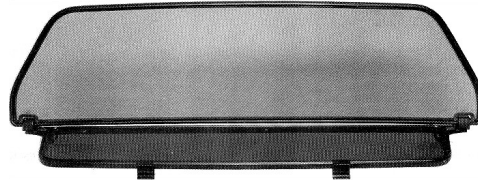
230SL 250SL 280SL CATALOG

FENDER TRIM

Available for most models from 1971 and up please inquire

69-2000 All 230SL, 250SL, and 280SL - 113 Chassis

WINDSCREENS



86-2074 For all 113 Chassis - 230SL, 250SL & 280SL

SL windscreens reduce drafts and wind noise to enjoy your convertible without the windblown look

230SL 250SL 280SL WOOD SET

68-2116 This is the real thing we import direct from Germany. The original four piece set is finished and ready to install. The fit, finish and detail on this set is far superior to the copies sold by other suppliers.



230SL 250SL 280SL CATALOG

Hardtop Hoists & Holders

00-9027 Hardtop Hoist - Manual design with rigid bar, rope and pulley for all 113 and 107 Chassis SL's from 1963 to 1989.



Mercedes SL (1972-1989) on Manual Hoist



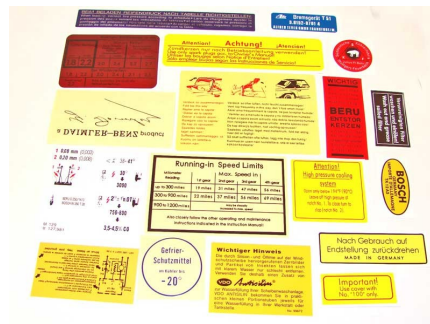
00-9029 Hardtop Holder - Aluminum cart design with four casters for a very stable transport. This has been our standard for years. For all 113 and 107 Chassis. (Cover Included)

00-9101 Cloth storage cover for use with hardtop holder 00-9100 or 00-9029 above.

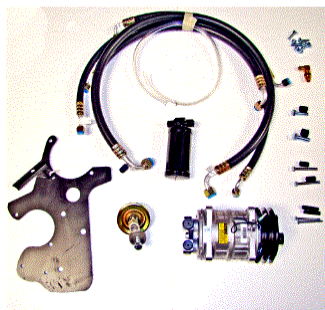
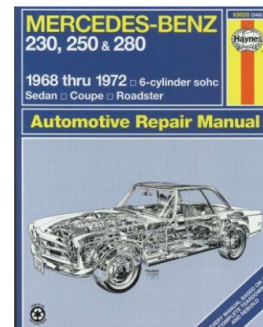
20-0001 Air conditioning for all 113 Chassis



00-2006 Decal Set



346 Haynes Manual



81-2015 Ashtray



230SL 250SL 280SL CATALOG

RUBBER KIT

The purpose of our rubber kits is to provide the majority of seals used in the restoration or painting of your car, through one easy purchase. The engine grommet kit is sold separately for restoration in the engine compartment. Removable hardtop seals are not included in the kits - but may be purchased separately.

Kit Part Number: 99-2001
Kit Application: 113 Rubber Kit
230SL, 250SL, 280SL
Model Years: 1963 To 1971

<u>Qty</u>	<u>Part Number</u>	<u>Description</u>
1	47-2027	Fuel tank boot
1	67-2002	Front windshield seal
5	69-2017	Rubber insert for chrome (5 meters)
1	72-2043	Door handle pad kit
2	72-2100	Front windshield post seal
1	72-2103L	Rubber door seal - LT.
1	72-2103R	Rubber door seal - RT.
1	75-2007	Convertible lid seal
1	75-2015	Trunk lock rubber seal
1	75-2016	Trunk lid rubber seal
1	72-2101L	Side window seal - LT.
1	72-2101R	Side window seal - RT.
1	77-2019	Front roof frame seal
1	75-2021	Trunk handle base pad
1	81-2009	Outside mirror base pad*
1	81-2010	Outside mirror base pad*
1	77-2020	Soft Top Base Seal

* Chassis Number Required

230SL 250SL 280SL CATALOG

SOFT TOP RUBBER KIT

Kit Part Number: 99-2003
Kit Application: Softop Rubber Kit
230SL, 250SL, 280SL
Model Years: 1963 To 1971

<u>Qty</u>	<u>Part Number</u>	<u>Description</u>
1	77-2019	Front Roof Frame Seal
1	72-2101L	Side Window Seal - L
1	72-2101R	Side Window Seal - R
1	77-2020	Rear Soft Top Frame Seal

HARD TOP RUBBER KIT

Kit Part Number: 99-2002
Kit Application: Hardtop Rubber Kit
230SL, 250SL, 280SL
Model Years: 1963 To 1971

<u>Qty</u>	<u>Part Number</u>	<u>Description</u>
1	77-2019	Front Roof Frame Seal
1	72-2101L	Side Window Seal - L
1	72-2101R	Side Window Seal - R
1	79-2008L	Rear Quarter Glass Seal - L
1	79-2008R	Rear Quarter Glass Seal - R
2	79-2023	Horizontal Quarter Glass Seal
2	79-2024	Vertical Quarter Glass Seal
1	79-2006	Rear Window Glass Seal
1	79-2012	Rear Hardtop Base Seal

230SL 250SL 280SL CATALOG

ENGINE - GASKETS / SEALS

- 01-2033 Engine lower gasket set - 230SL & 250SL
- 01-2034 Engine head gasket set - 230SL & 250SL
- 01-2037 Engine lower gasket set - 280SL
- 01-2038 Engine head gasket set- 280SL up to engine #10-005301 & 12-008784
- 01-2039 Engine head gasket set - 280SL from engine #10-005302 & 12-008785
- 01-2049 Oil pan gasket - 280SL
- 01-2053 Valve cover gasket - All models
- 02-0062 Valve cover oil fill cap gasket - All models
- 05-2074 Valve stem seal kit - 250SL & 280SL
- 05-2075 Valve stem seal kit - 230SL
- 07-2030 Gasket - injection pump to crankcase - All models
- 09-2003 Rubber seal - Air filter canister cover - All models
- 13-0048 Gasket - thermostat housing to head - All models
- 14-2044 Manifold gasket - All models
- 18-0060 Gasket - crankcase to oil filter housing - All models



09-2002

ENGINE - FILTERS

- 07-2018 Injection pump filter - 230SL & 250SL up to engine #10-000617 & 12-000465
- 07-2019 Injection pump filter - 250SL from engine #10-000618 & 12-000466 & 280SL
- 09-2002 Air filter - All models
- 09-2031 Fuel filter - All models
- 12-0048B Oil filter kit - All models
- 27-2010 Transmission filter kit - All models with auto-transmission
- 46-2153 Power steering filter - All models

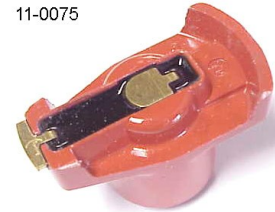


12-0048B

ENGINE - V - BELTS

- 20-2104 Alternator belt - 230SL 9.5 X 875
- 20-2106 Alternator belt - 280SL 9.5 X 900
- 20-2107 Power steering belt - All models using 12.5 X 750
- 20-2108 Air conditioning belt - All models using 12.5 X 1075

11-0075



ENGINE - IGNITION/TUNE UP

- 11-0075 Rotor - 230SL , 250SL & 280SL up to engine #10-004596 & 12-007229
- 15-2000 Rotor - 280SL from engine #10-004597 & 12-007230
- 11-0082 Condenser - 230SL, 250SL & 280SL up to engine #10-004596 & 12-007229
- 15-2069 Condenser - 280SL from engine #10-004597 & 12-007230
- 11-0130C Spark plug - Bosch copper core - All models
- 11-0130P Spark plug - Bosch platinum - All models
- 15-2056 Distributor cap - 230SL, 250SL & 280SL, with cast iron housing
- 15-2057 Distributor cap - late 280SL with aluminum housing
- 15-2060 Points - 230SL up to engine #10-010786 & 12-002990



11-0082

230SL 250SL 280SL CATALOG

- 15-2061 Points - 230SL from engine #10-010787 & 12-002991 & 250SL & 280SL up to engine #10-004597
- 15-2062 Points - 280SL from engine #10-004598 & 12-007230
- 15-2063 Points - Late 280SL with Aluminum housing
- 15-2066 Distributor - 230SL from engine #10-010787 & 12-002991 250SL & 280SL up to engine #10-004596 & 12-007229
- 15-2067 Distributor - 280SL from engine #10-004597 & 12-007230
- 15-2110 Spark plug wire set - Bosch with lifetime warranty - All models
- 54-2150 Ignition coil - 230SL & 250SL
- 54-2151 Ignition coil - 280SL (with transistorized ignition)
- 54-2154 Plastic moisture shield for ignition

ENGINE - HEAD / CAMSHAFT

- 01-2025 Cam tower bearing set - standard -230SL, 250SL & 280SL up to engine #10-004596 & 12-007229
- 05-2000 Camshaft - 230SL
- 05-2002 Camshaft - 280SL up to engine #10-004596 & 12-007229
- 05-2003 Camshaft - 280SL from engine #10-004597 & 12-007230

ENGINE - VALVES

- 03-2010 Valve guide - intake standard 14.025 mm to 14.032 mm - All models
- 03-2011 Valve guide - intake - 1st oversize - All models
- 03-2018 Valve guide - exhaust standard 14.020 mm - 230SL
- 03-2020 Valve guide - exhaust standard 15.025 mm - 250SL & 280SL
- 03-2021 Valve guide - exhaust - 1st oversize - 250SL & 280SL
- 03-2022 Valve guide - exhaust - 2nd oversize - 250SL & 280SL
- 05-0057 Intake valve - 230SL
- 05-0060 Exhaust valve - 230SL
- 05-2072 Exhaust valve - 250SL & 280SL
- 05-2073 Intake valve - 250SL & 280SL
- 05-2074 Valve stem seal kit - 250SL & 280SL
- 05-2075 Valve stem seal kit - 230SL
- 05-2099 Rocker arm - All models
- 05-2091 Ball stud assembly - 230SL & 250SL
- 05-2092 Ball stud assembly - 280SL



All Bosch Spark plug wire sets have a limited lifetime warranty by Robert Bosch Corporation.

ENGINE - BEARINGS / BUSHINGS

15-2110

- 03-2060 Main bearing set - standard - 60.00 mm - 230SL
- 03-2061 Main bearing set - 1st repair - 59.75 mm - 230SL
- 03-2062 Main bearing set - 2nd repair - 59.50 mm - 230SL
- 03-2064 Main bearing set - 1st repair - 59.75 mm - 250SL
- 03-2066 Main bearing set - standard - 60.00 mm - 280SL
- 03-2071 Rod bearing set - 1st repair - 47.75 mm - 230SL

230SL 250SL 280SL CATALOG

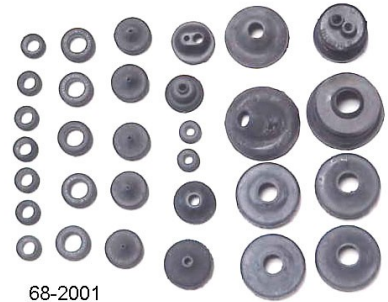
- 03-2076 Rod bearing set - standard - 48.00mm - 280SL
03-2077 Rod bearing set - 1st repair - 47.75mm - 280SL

ENGINE - CRANKSHAFT

- 03-0004 Crank gear - All models
03-0029 Rear crank seal - 230SL & 250SL
03-2006 Crank seal spacer 20mm wide, 35.75mm I.D. - All models
03-2015 Ring gear - 140 teeth - All models
03-2041 Connecting rod nut - 230SL up to engine #10-010833 & 12-003010

ENGINE - TIMING CHAIN / GEARS / RAILS

- 05-0001 Sliding rail - short - 86.00mm - All models
05-0002 Sliding rail - long - 160.00mm - All models
05-0003 Camshaft gear - All models
05-0045 Timing chain Tensioner idler sprocket - All models
05-2019 Brass bearing - to intermediate gear shaft - All models
05-2023 Timing chain - All models
05-2024 Timing chain master link - All models
05-2035 Timing chain guide pivot pin - All models
05-2040 Timing chain Tensioner - All models
05-2062 Idler sprocket - All models



ENGINE - GENERAL

- 01-2005 Oil drain plug - 14mm
01-2006 Oil drain plug - 12mm
01-2062 Breather hose - top valve cover - 230SL
01-2063 Breather hose - top valve cover - 250SL & 280SL
02-0061 Oil cap with gasket - All models
02-0062 Oil cap gasket - All models
09-2026 Rubber intake hose - from air cleaner to manifold - All models
18-0037 Oil pressure relief valve at main oil gallery - All models
18-2001 Oil pump - 230SL & 250SL up to engine #10-001175 & 12-001035
18-2002 Oil pump - 250SL from engine #10-001176 & 12-001036 & all 280SLs
18-2062 Oil cooler - 280SL
68-2001 Fire wall rubber grommet kit

FUEL SYSTEM - INJECTION

- 07-2021 Thermostat - injection pump - 250SL & 280SL
07-2030 Gasket - injection pump to crankcase - All models
07-2045 Injection nozzle - All models
07-2046 Seal ring for injection nozzle - All models
09-2031 Fuel filter - All models

230SL 250SL 280SL CATALOG

20-2076 Thermostat time switch - All models

FUEL SYSTEM - GAS TANK / FUEL PUMP

- 31-0003 Gas tank sending unit seal ring - All models
- 31-0042A Gas cap - locking - non vented
- 31-0042B Gas cap - locking - non vented - original with MBZ star – chrome
- 31-0042C Gas cap - non locking - non vented - with MBZ star
- 31-0043 Gas cap - locking - VENTED - original with MBZ star
- 47-2000 Gas tank - 230SL
- 47-2001 Gas tank - 250SL & 280SL
- 47-2012 Gas tank drain plug w/fuel filter
- 47-2015 Gas tank sending unit - 250SL, 280SL
- 47-2027 Rubber gas tank fill tube boot
- 47-2050 Electric fuel pump
- 47-2082 Mounting bracket for fuel pump
- 47-2085 Rubber fuel line (tank to pump) 275mm
- 47-2086 Fuel hose with fitted end at fuel pump
- 47-2095 Fuel pump mount (rubber stud)



31-0042B

RADIATOR / COOLING

- 13-0003 Expansion tank cap
- 13-0048 Gasket - thermostat housing to head - All models
- 20-0023 Water pump gasket - between pump & aluminum housing - All models
- 20-2001 Water pump (long -3 hole mount) - 230SL without viscous fan clutch
- 20-2002 Water pump (short-4 hole mount) - 230SL with viscous fan clutch & 250SL & 280SL from engine #10-000433 & 12-000706
- 20-2003 Water pump (long-4 hole mount) - 280SL up to eng. #10-000432 & 12-000705
- 20-2025 Water pump housing - All models
- 20-2029 Gasket - water pump housing to block - All models
- 20-2060 Thermostat - 79 degree centigrade - All models
- 20-2063 O-ring thermostat to cover to case
- 20-2069 By-pass hose - 230SL
- 20-2070 By-pass hose - 250SL
- 20-2075 Auxiliary fan switch - All models
- 20-2102 Viscous fan clutch - All models
- 50-2025 Radiator hose - upper - All models
- 50-2026 Radiator hose - lower - 230SL
- 50-2027 Radiator hose - lower - 250SL & 280SL
- 50-2040 Radiator hose - 90 degree hose from bottom of expansion tank
- 50-2041 Radiator hose - radiator to expansion tank - All models
- 50-2042 Hose clamp - for radiator to expansion tank hose - All models

230SL 250SL 280SL CATALOG

CLUTCH

03-0025	Pilot bearing - all models with standard transmission
25-0001	Rubber boot for clutch release arm (on transmission)
25-0047	Spring clip - clutch release yoke to release body - All models
25-2011	Clutch pressure plate - 230SL & 250SL
25-2012	Clutch pressure plate - 280SL
25-2015	Clutch disc - 230SL, 250SL & 280SL
25-2040	Clutch release bearing - 230SL & 250SL
25-2041	Clutch release bearing - 280SL
25-2042	Clutch release bearing w/collar for HEAVY DUTY clutch - 230SL & 250SL
25-2050	Clutch slave cylinder - 1" diameter - 230SL & 250SL
25-2051	Clutch slave cylinder - 15/16" diameter - 280SL
29-2050	Clutch master cylinder - 250SL
29-2051	Clutch master cylinder - 280SL
29-2052	Clutch master cylinder - 230SL
29-2082	Rubber hose - metal line to slave cylinder - 230SL

TRANSMISSION - MANUAL

14-0005	Rear motor mount (transmission mount) - All models
17-0017	Shift lever bushing (tube to transmission)
17-0056	Shift lever bushing (base to lever)
17-0065	Shift lever bushing (lever to tube)
17-0072A	Shift knob - standard transmission - Ivory
17-0072B	Shift knob - standard transmission - Black
26-2001	Gasket set - standard transmission - 230SL & 250SL
26-2044	Synchronizer ring - All models
26-2086	Nylon bushing insert - 230SL up to chassis #014258
26-2089	Rubber shift boot



27-2022

TRANSMISSION - AUTOMATIC

26-2003	Automatic transmission gasket set - All models
27-2010	Transmission filter kit
27-2012	Shift linkage bushing
27-2022	Plastic shift pattern insert for gearshift on auto transmission
27-2027	Shift knob - Black
27-2039	Front seal
27-2082	Transmission cooling hose - All models



27-2010

FRONT AXLE

21-0070	Tie rod end (right hand thread) - All models
21-0071	Tie rod end (left hand thread) - All models
30-2085	Tie rod assembly - All models

230SL 250SL 280SL CATALOG

32-2013	Torsion bar kit - 230SL & 250SL up to chassis #005164
32-2014	Torsion bar kit - 250SL from chassis #005165 & 280SL
33-0004	Front wheel bearing grease seal - All models
33-0005	Front wheel bearing - outer - All models
33-0006	Front wheel bearing - inner - All models
33-0013	King pin kit - either side - All models
33-0014	Upper control arm kit - outer - either side - All models
33-0016	Lower control arm kit - outer -either side - All models
33-2001	Front sub-frame mount kit - All models
33-2015	Upper control arm kit - inner - either side - All models
33-2017	Lower control arm kit - inner - either side - All models
33-2107	Lower control arm rubber bumper - All models

REAR AXLE

22-0065	Rear axle boot - solid with mount kit - All models
22-0068S	Rear axle boot - split with mount kit - All models
32-2034	Spring kit - for replacement of hydro compensator - All models
35-2010	Rear wheel bearing seal kit - without bearing - All models
35-2039	Pinion seal - All models
35-2111	Rubber mount - rear axle support - All models
35-2121	Rubber bushing - trailing arm to rear axle housing - All models
35-2159	Rubber bushing - between front of training arm chassis - All models
42-2040	Rear axle seal - inner - All models
42-2042	Rear axle seal - outer - All models

DRIVE SHAFT

41-0031	Drive shaft - U-joint cross - 230SL & 250SL up to chassis #002524
41-0040	Drive shaft - center support rubber mount
41-0040A	Drive shaft - center support bearing - All models
41-0045	Flex disc repair kit - All models

HUBCAPS / BEAUTY RIMS / WHEELS

23-0012	Hubcap - unpainted - original
40-2007	Wheel lug bolt - Magnesium wheel - All models
40-2010	Hubcap- 14" unpainted with clips - 280SL from chassis #000045 40-2010
40-2013	Solid chrome beauty rim - 14" - original
40-2020	Solid chrome beauty rim - 14" set of 4 - reproduction



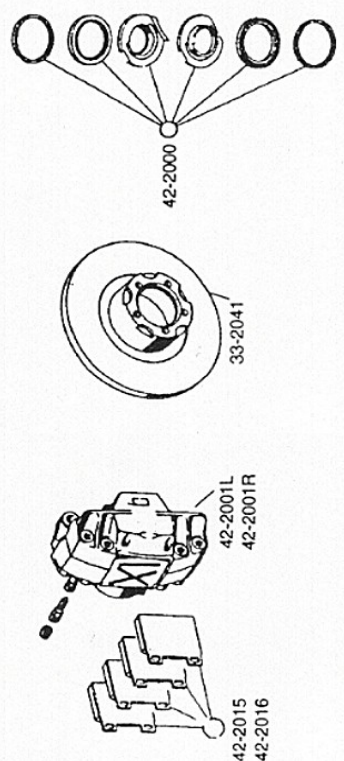
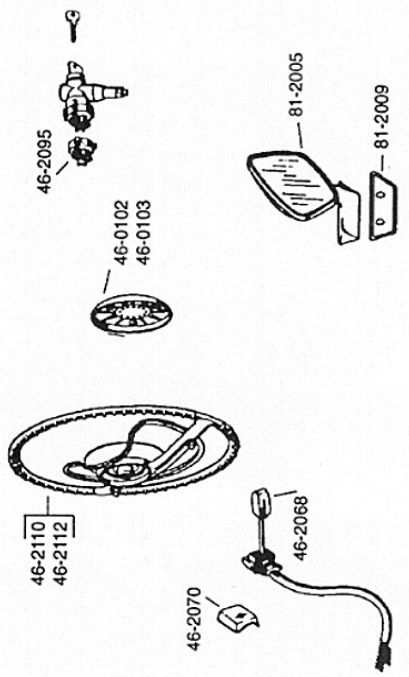
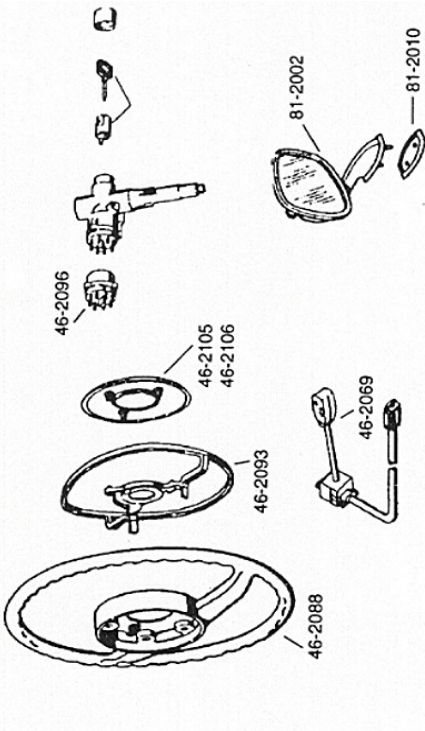
SHOCK ABSORBERS

32-2016	Front shock absorbers - Bilstein
32-2045	Rear shock absorbers - Bilstein

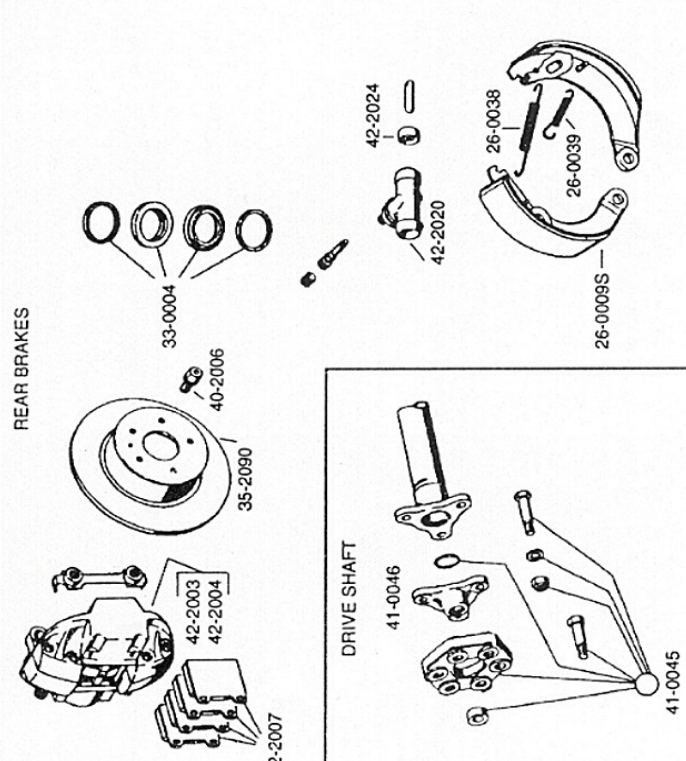


230SL 250SL 280SL CATALOG

FRONT BRAKES



REAR BRAKES



DRIVE SHAFT

230SL 250SL 280SL CATALOG

BRAKES - FRONT AXLE

33-2040	Front brake disc - 230SL
33-2041	Front brake disc - 250SL & 280SL
42-2000	Front brake caliper repair kit - All models using ATE calipers
42-2001L	Front brake caliper - driver side - All models
42-2001R	Front brake caliper - passenger side - All models
42-2002	Front brake caliper repair kit - All models using Girling calipers
42-2015	Front brake pad set - large pad - 230SL with Girling calipers
42-2016	Front brake pad set - small pad - 230SL, 250SL & 280SL using ATE calipers
42-2017	Front brake caliper lock plate
42-2019	Caliper bleeder valve rubber cap (front or rear) - All models
42-2076	Front rubber brake hose -either side - All models

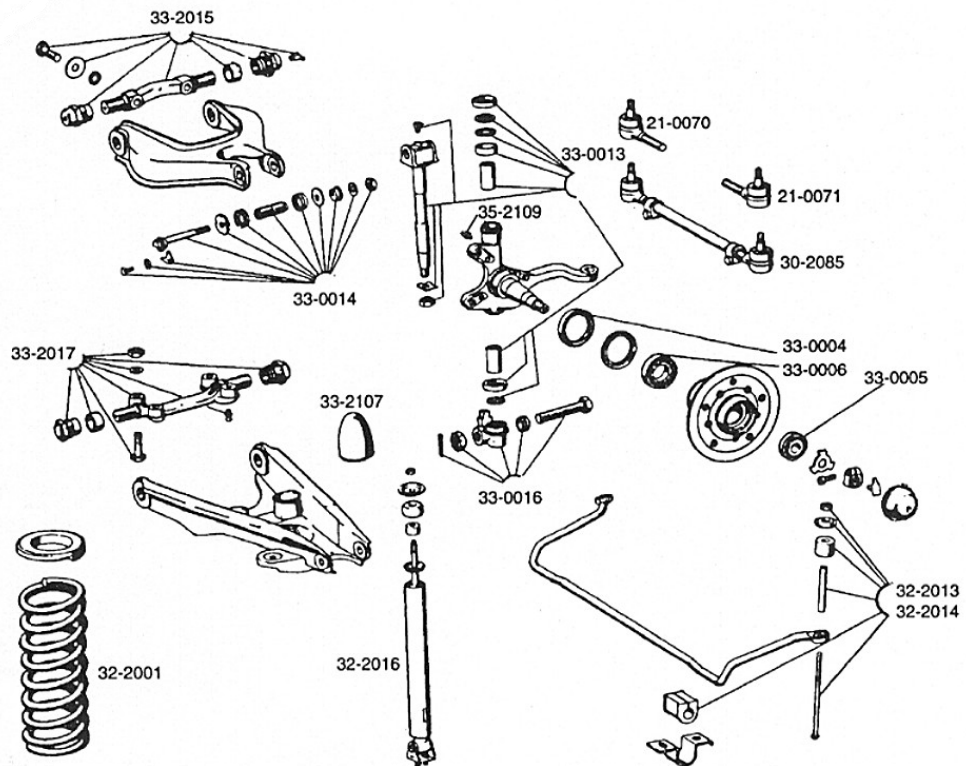
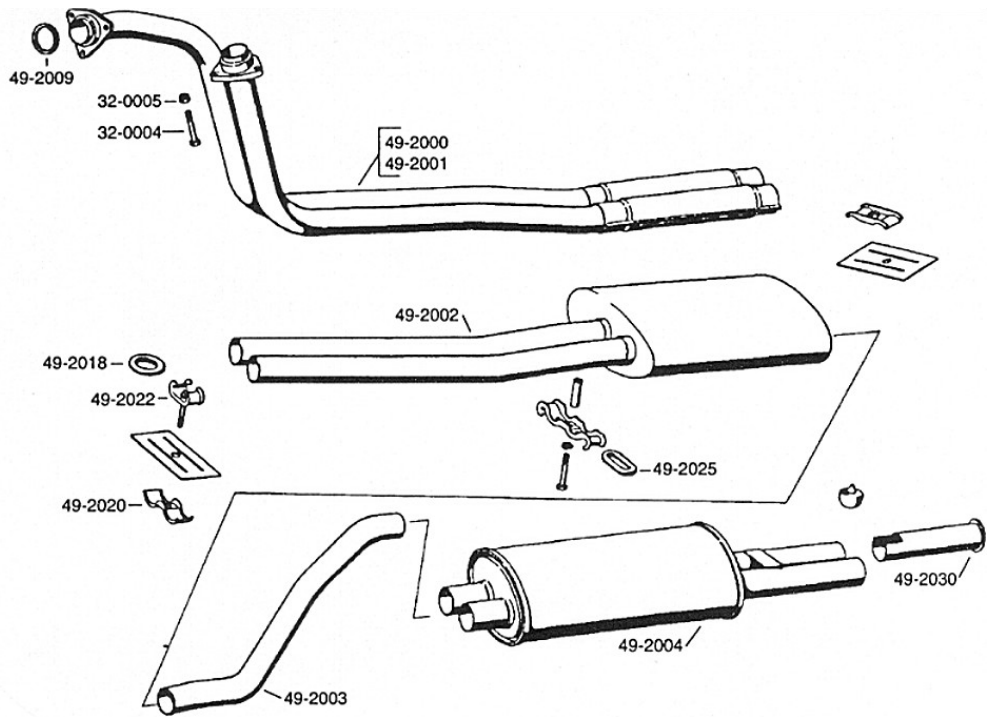
BRAKES - REAR AXLE

26-0009S	Rear brake shoe set 230SL (\$200.00 core deposit)
26-0039	Rear brake shoe spring - small - 230SL
27-0050	Rear brake hose - driver side - All models
27-0051	Rear brake hose - passenger side - All models
35-2090	Rear brake disc - 250SL & 280SL
42-2003	Rear brake caliper - driver side - 250SL & 280SL
42-2004	Rear brake caliper - passenger side - 250SL & 280SL
42-2007	Rear brake pad set - 250SL & 280SL
42-2009	Rear brake caliper repair kit - 250SL & 280SL
42-2020	Rear wheel cylinder - 230SL
42-2024	Rear wheel cylinder repair kit - 230SL
42-2030	Emergency brake shoe kit - 250SL & 280SL
42-2032	Rear brake caliper lock plate - 250SL & 280SL

BRAKES - LINES / SYSTEM

27-0038	U-shaped spring clip for rubber brake hose - All models
42-2008	Rubber boot on brake lever - All models
42-2011	Master brake cylinder - 230SL
42-2012	Master brake cylinder 250SL up to chassis #002979
42-2013	Master brake cylinder - 250SL & 280SL from chassis #002980
42-2010	Brake fluid reservoir mount kit - 230SL
42-2054	Power brake booster vacuum line - per meter - All Except Late 280SL
42-2100	Power brake booster - 230SL, 250SL & 280SL up chassis #006618
42-2101	Power brake booster - 280SL from chassis #006619

230SL 250SL 280SL CATALOG



230SL 250SL 280SL CATALOG

STEERING WHEEL / HORN

- 46-0090 Idler arm repair kit - 230SL, 250SL & 280SL up to chassis #000018
- 46-0101 Steering wheel - ivory - with horn ring - 230SL up to chassis #010610
- 46-0102 Hub pad - ivory - w/connection sleeves - 230SL & 250SL up to chassis #002979
- 46-0103 Hub pad - black - w/connection sleeves - 230SL & 250SL up to chassis #002979
- 46-0104 Connection sleeve - hub pad to steering wheel - 230SL & 250SL up to CH #002979
- 46-2001 Power Steering Box - Rebuilt (Core deposit \$200)
- 46-2005 Drag link
- 46-2087 Steering wheel - ivory - 250SL from chassis #002980 & 280SL
- 46-2088 Steering wheel - black - 250SL from chassis #002980 & 280SL
- 46-2093 Horn ring - 250SL from chassis #002980 & 280SL
- 46-2104 Mercedes badge - center of steering wheel - 250SL from chassis #002980 & 280SL
- 46-2105 Hub pad - black - w/connection sleeves - 250SL from chassis #002980 & 280SL
- 46-2106 Hub pad - ivory - w/connection sleeves - 250SL from chassis #002980 & 280SL
- 46-2113 Steering wheel - ivory - with horn ring - 230SL from chassis #010611 & 250SL up to chassis #002979
- 46-2124 Idler arm repair kit - 280SL from chassis #000019
- 46-2140 Steering shock absorber



46-2001

EXHAUST

- 49-2000 Front exhaust pipe - 230SL up to chassis #013864
- 49-2001 Front exhaust pipe - 230SL from chassis #013865 & 250SL & 280SL
- 49-2002 Center pipe with resonator
- 49-2003 Connecting pipe from center resonator to rear muffler
- 49-2004 Rear muffler
- 32-0004 Front exhaust pipe to manifold bolt
- 32-0005 Front exhaust pipe to manifold nut
- 49-2009 Front exhaust pipe to manifold seal ring
- 49-2018 Center pipe with resonator rubber mount ring
- 49-2025 Rear muffler rubber mount rings
- 49-2030 Chrome exhaust extension



46-2105

MIRRORS

- 46-0004 Outside mirror glass - 230SL & 250SL up to chassis #002981
- 46-0005 Outside mirror ring - 230SL & 250SL up to chassis #002981
- 81-2001 Inside rear view mirror assembly - black - All models
- 81-2002 Outside mirror assembly - driver side - 230SL & 250SL up to chassis #002981
- 81-2003 Outside mirror assembly - passenger side - 230SL & 250SL up to chassis #002981
- 81-2004 Outside mirror assembly - passenger side - 250SL from chassis #002982 & 280SL
- 81-2005 Outside mirror assembly - driver side - 250SL from chassis #002982 & 280SL
- 81-2007 Outside mirror glass ring - 250SL from chassis #002982 & 280SL
- 81-2008 Outside mirror glass - 250SL from chassis #002982 & 280SL
- 81-2009 Outside mirror rubber base pad - 250SL from chassis #002982 & 280SL
- 81-2010 Outside mirror rubber base pad - 230SL & 250SL up to chassis #002981

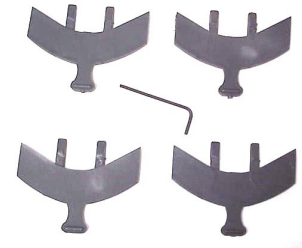


81-2005

230SL 250SL 280SL CATALOG

HEATER / AIR CONDITIONING

- 83-2026L Heat system air intake - flap driver side - All models
- 83-2035 Heater air cleaner intake filter
- 83-2036 Heater lever replacement kit - All models
- 83-2037 Heater lever (red color) - 250SL from chassis #002980 & 280SL
- 83-2038 Heater lever (blue color) - 250SL from chassis #002980 & 280SL
- 83-2039 Heater lever (smoke color) - 250SL from chassis #002980 & 280SL
- 83-2040 Inner control wire cable - 485mm long
- 83-2042 Rubber plug for heater valve access hole in fire wall



ACCELERATION CONTROL

- 07-2114 Brass bushing - accelerator linkage at aluminum bracket - All models
- 30-0019 Rubber dampening ring on accelerator rod - All models
- 30-2004 Accelerator pedal (reproduction) - All models

RUBBER - WEATHER STRIP SEALS

- 67-2002 Front windshield glass rubber seal
- 72-2100 Front windshield pillar post seal - either side
- 72-2101L Side window glass seal - driver side
- 72-2101R Side window glass seal - passenger side
- 72-2102 Front windshield pillar post seal reproduction (Set for both sides)
- 72-2103L Door seal - driver side
- 72-2103R Door seal - passenger side
- 75-2007 Convertible top cover lid seal
- 75-2016 Trunk lid seal
- 77-2019 Front roof frame seal
- 77-2020 Rear soft top frame seal
- 79-2006 Rear window glass seal
- 79-2008L Rear quarter glass seal - driver side
- 79-2008R Rear quarter glass seal - passenger side
- 79-2012 Rear hard top base to body seal
- 79-2023 Weather strip for quarter glass - horizontal post
- 79-2024 Weather strip for quarter glass - vertical post
- 83-2030 Fresh air flap on cowl seal

30-2004



72-2102



230SL 250SL 280SL CATALOG

RUBBER - OTHER

- 26-2089 Rubber shift boot - standard transmission
- 29-2007 Brake or clutch pedal pad
- 42-2008 Rubber boot on hand brake lever
- 46-2070 Turn signal switch rubber boot - 230SL & 250SL up to chassis #002979
- 46-2071 Turn signal switch rubber boot - 250SL from chassis #002980 & 280SL
- 47-2027 Fuel tank fill tube rubber boot
- 68-2052 Rubber trunk mat (large - driver side)
230SL from chassis #007205, 250SL & 280SL
- 68-2053 Rubber trunk mat (small - passenger side)
230SL from chassis #007205, 250SL & 280SL
- 68-2057L Door sill rubber mat - driver side - black
- 68-2057R Door sill rubber mat - passenger side - black
- 69-2017 Rubber insert for exterior chrome trim - per meter
- 72-2043 Rubber door handle pad set
- 75-2015 Trunk lock base seal
- 75-2021 Trunk handle base seal
- 75-2022 Trunk lid rubber bumper
- 81-2009 Outside mirror base pad - 250SL from chassis #002981 & 280SL
- 81-2010 Outside mirror base pad - 230SL & 250SL up to chassis #002981



69-2017

FRONT WINDSHIELD & WIPER / WASHER

- 47-0180 Windshield washer reservoir
- 47-0187 Windshield washer hose
- 67-2002 Front windshield glass seal
- 67-2003 Aluminum windshield seal frame - driver half
- 67-2004 Aluminum windshield seal frame - passenger side
- 72-2102 Front windshield pillar post seal - driver or passenger
- 82-2026L Windshield wiper arm - driver side
- 82-2026R Windshield wiper arm - passenger side
- 82-2028 Windshield wiper blade assembly
- 82-2029 Windshield wiper rubber refill - 230SL, 250SL 280SL up to chassis #001199
- 82-2030 Windshield wiper rubber refill - 280SL from chassis #001200
- 86-2110 Windshield washer pump
- 86-2111 Windshield washer chrome spray nozzle
- 86-2112 Windshield washer chrome spray nozzle mount clip
- 86-2113 Windshield washer chrome spray nozzle connector



72-2043

GLASS

- 67-2001 Windshield Glass - Mercedes Original - Tinted
- 67-2020 Windshield Glass - Aftermarket - Tinted
- 72-2070L Door window glass - clear - driver side
- 72-2070R Door window glass - clear - passenger side
- 72-2071L Door window glass - tinted - driver side
- 72-2071R Door window glass - tinted - passenger side

230SL 250SL 280SL CATALOG



82-2067



82-2070

82-2069

82-2072

82-2060

82-2061

88-0085

82-2079

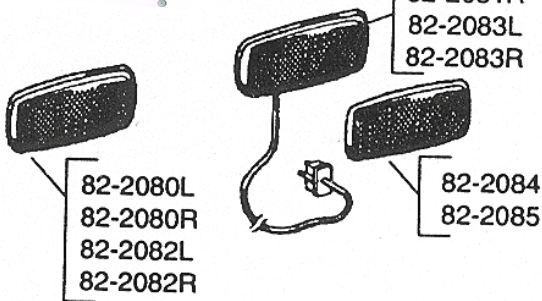
82-2062

82-2063

82-2066

82-2068

82-2071



82-2080L
82-2080R
82-2082L
82-2082R

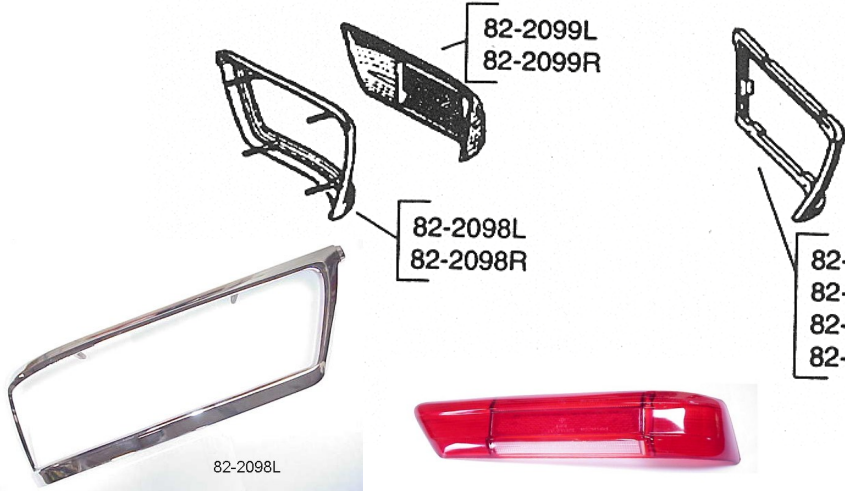
82-2081L
82-2081R
82-2083L
82-2083R

82-2084
82-2085



82-2099

82-2093L
82-2093R



82-2098L



82-2097R

82-2095L
82-2095R
82-2094L
82-2094R



82-2096



82-2093L

230SL 250SL 280SL CATALOG

ELECTRICAL LIGHTING - HEADLIGHT

82-2060	Headlight assembly (European) does not include rim - All models
82-2062	Headlight assembly (USA)- 230SL, 250SL & 280SL up to chassis #005607
82-2063	Headlight rim (USA) - 230SL, 250SL & 280SL up to chassis #005607
82-2066	Headlight rim (USA) - 280SL from chassis #005608 to chassis #011947
82-2067	Headlight assembly (USA) - 280SL from chassis #011948
82-2068	Headlight rim (USA) - 280SL from chassis #011948
82-2069	Headlight lens (European) - All models
82-2070	Headlight chrome rim (European) - All models
82-2072	Headlight lens seal (European) - All models
82-2079	Inner headlight body (less lens) for sealed beam light - All models

ELECTRICAL LIGHTING - TAIL LIGHT

82-2093L	Tail light assembly with amber lens - driver side - All models
82-2093R	Tail light assembly with amber lens - passenger side - All models
82-2094L	Tail light lens rubber seal - driver side - 230SL, 250SL & 280SL up to chassis #011040
82-2094R	Tail light lens rubber seal - passenger side - 230SL, 250SL & 280SL up to chassis #011040
82-2095L	Tail light lens seal - driver side - 280SL from chassis #011041
82-2095R	Tail light lens seal - passenger - 280SL from chassis #011041
82-2096L	Tail light Reflector - driver side - Early 230SL 250SL 280SL
82-2096R	Tail light Reflector - passenger side - Early 230SL 250SL 280SL
82-2097L	Tail Light Lens (All Red) - driver side - lens only
82-2097R	Tail Light Lens (All Red) - passenger side - lens only
82-2099L	Tail light lens - amber - driver side - 280SL from chassis #011041
82-2099R	Tail light lens - amber - passenger side - 280SL from chassis #011041

SIDE REFLECTORS & LIGHTS

82-2080L	Side reflector - Amber - front driver side - 250SL from chassis #015585 & 280SL up to chassis #011947
82-2080R	Side reflector - Amber - front passenger side - 250SL from chassis #015585 & 280SL up to chassis #011947
82-2081L	Side marker lamp assembly - Amber - front driver side - 280SL from chassis #011948
82-2081R	Side marker lamp assembly - Amber - front passenger side - 280SL up to chassis #011948
82-2082L	Side reflector - Red - rear driver side - 250SL from chassis #015585 & 280SL up to chassis #011947
82-2082R	Side reflector - Red - rear passenger side - 250SL from chassis #015585 & 280SL up to chassis #011947
82-2083L	Side marker lamp assembly - Red - rear driver side - 280SL from chassis #011948

230SL 250SL 280SL CATALOG

- 82-2083R Side marker lamp assembly - Red - rear passenger side
- 280SL from chassis #011948
- 82-2084 Side marker lens - front - Amber - either side
- 280SL from chassis #011948
- 82-2085 Side marker lens - rear - Red - either side - 280SL from chassis #011948

ELECTRICAL LIGHTING - OTHER

- 82-2045 Glove box light assembly - All models
- 82-2048 Interior light assembly
- 82-2090 License plate light assembly - either side - All models

ELECTRICAL - SWITCHES / KNOBS

- 46-2068 Turn signal switch - 230SL & 250SL up to chassis # 002979
- 46-2069 Turn signal switch - 250SL from chassis # 002980 & 280SL
- 46-2095 Ignition switch - 230SL & 250SL up to chassis #002979
- 46-2096 Ignition switch - 250SL from chassis #002980 & 280SL
- 54-2055 Headlight switch knob - All models
- 54-2056 Chrome headlight switch bezel - All models
- 82-2004 Heater fan switch knob with chrome ring - All models



54-2128

- 54-2128 Relay - 4 pole: fan, fuel mix, A/C, power windows, EGR, fuel pump, ignition,
- 230SL, 250SL & 280SL from chassis #011948
- 54-2130 Turn signal flasher relay - 230SL, 250SL & 280SL up to chassis #005607

ELECTRICAL - INSTRUMENTS / GAUGES

- 54-2103 Water temperature gauge - Fahrenheit - All models
- 54-2109 Instrument cluster base to dash seal - All models
- 54-2116 Speedometer or tachometer base to dash seal - All models
- 54-2125 Clock - All models
- 54-2135 Speedometer cable - manual transmission
- 54-2136 Speedometer cable - automatic transmission
- 54-2137 Tachometer cable - All models

ELECTRICAL - STARTER / ALTERNATOR

- 15-0056 Alternator adjusting rod kit - 280SL
- 15-2001 Starter motor - rebuilt - All models (\$100.00 core deposit)
- 15-2015 Alternator - rebuilt - All models (\$50.00 core deposit)
- 54-2170 Voltage regulator - All models

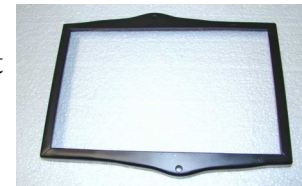
230SL 250SL 280SL CATALOG

ELECTRICAL - OTHER

- 11-0000 Radio antenna - front mounting - manual - All models
- 15-2016 Alternator wiring harness for part number 15-2015
- 54-0050 Bosch Reproduction of Original Horns - Pair
- 54-2003A Battery top frame without washer bottle bracket - All models
- 54-2005 Battery hold down bolt - All models
- 54-2051 Fuse box cover - All models
- 54-2142 Signal horn (low pitch) - All models - Bosch Replacement
- 54-2143 Signal horn (high pitch) - All models - Bosch Replacement
- 54-2150 Ignition coil - 230SL & 250SL
- 54-2151 Ignition coil - 280SL (transistorized ignition)
- 54-2160 Ballast resistor (0.6 ohm - silver bracket) - 280SL
- 54-2161 Ballast resistor (0.4 ohm - blue bracket) - 280SL
- 62-2041 Battery tray - All models
- 68-2111 Radio Speaker
- 82-0062 Cigar lighter spiral - All model



54-0050



54-2003A



68-2111

ELECTRICAL - BULBS / FUSES - ALL MODELS

- 11-0008A Fuse - 8 amp
- 11-0016A Fuse - 16 amp
- 47-0203 Heater fan switch knob light bulb
- 47-0203 Instrument light bulb - All models including clock
- 47-0205 Trunk light bulb
- 47-0210 License plate light bulb
- 47-0215 Interior light assembly light bulb / Glove box light bulb
- 82-0085 Head light bulb- USA sealed beam



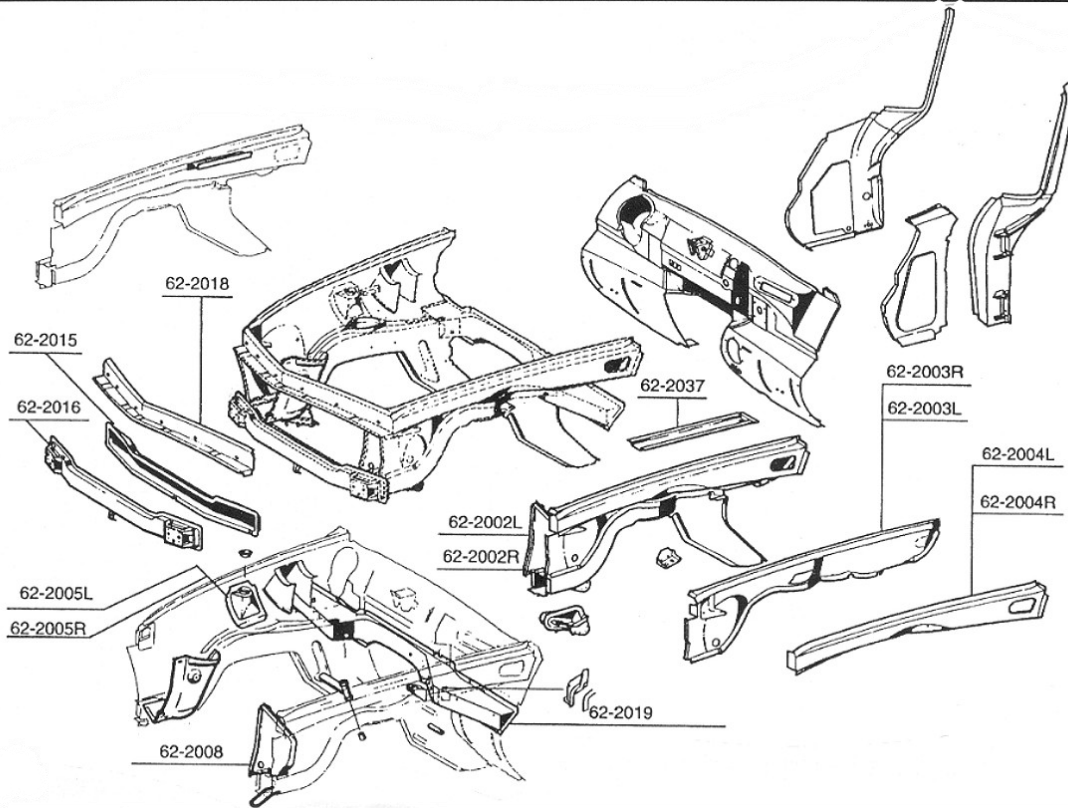
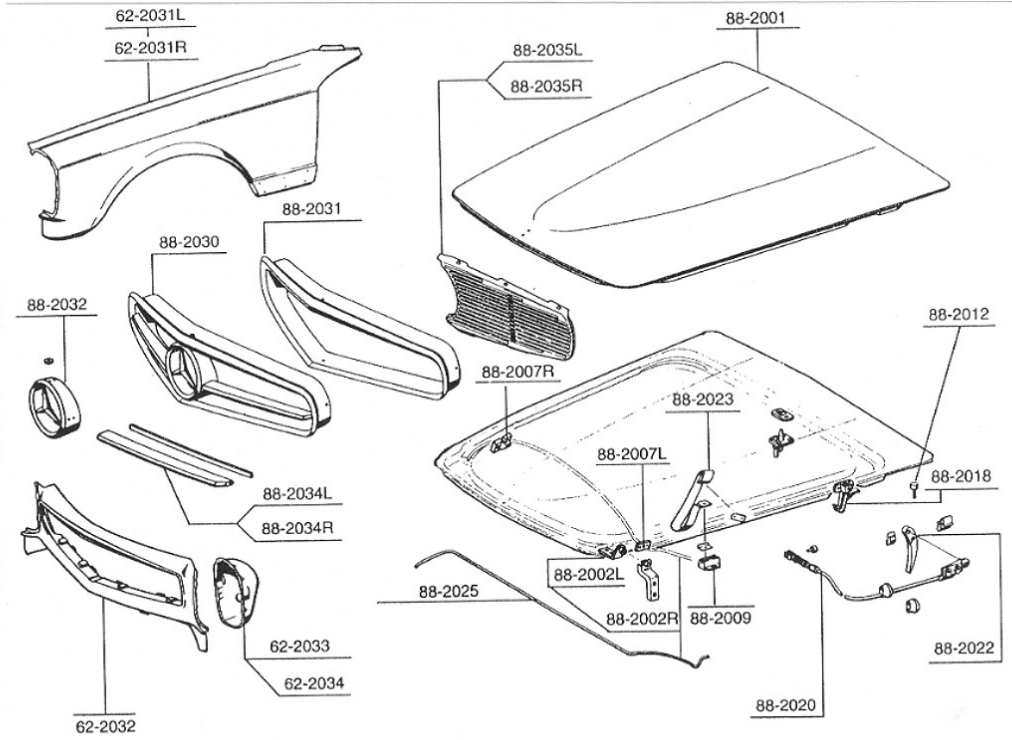
72-2007

DOORS

- 42-0029 Door lock cover chrome tab 230SL & 250SL up to chassis #002979
- 42-0102 Door window felt strips
- 72-0029 Screws for door lock escutcheon 230SL & 250SL up to chassis #002979
- 72-2007 Door retainer (mounted on door) - All models
- 72-2034L Interior door handle - driver side
- 250SL from chassis #002980 & 280SL
- 72-2034R Interior door handle - passenger side - 250SL from chassis #002980 & 280SL
- 72-2036 Interior door handle chrome base plastic cover
- 230SL & 250SL up to chassis #002979
- 72-2037L Interior door handle plastic cover - driver side
- 250SL from chassis #002980 & 280SL
- 72-2037R Interior door handle plastic cover - passenger side
- 250SL from chassis #002980 & 280SL



230SL 250SL 280SL CATALOG



230SL 250SL 280SL CATALOG

- 72-2040L Outside door handle with lock & keys - driver side
- 230SL & 250SL up to chassis #002979
- 72-2040R Outside door handle with lock & keys - passenger side
- 230SL & 250SL up to chassis #002979
- 72-2041L Outside door handle with lock & keys - driver side
- 250SL from chassis #002979 & 280SL to chassis #010355
- 72-2041R Outside door handle with lock & keys - passenger side
- 250SL from chassis #002979 & 280SL up to chassis #010355
- 72-2042L Outside door handle with lock & keys - driver side - 280SL From #010356
- 72-2042R Outside door handle with lock & keys - passenger side - 280SL From #010356
- 72-2043 Rubber door handle pad set - set of 4 - reproduction
- 72-2056L Window lifter mechanism - driver side - All models
- 72-2056R Window lifter mechanism - passenger side - All models
- 72-2060 Window lifter repair kit - All models
- 72-2072 Interior door lock lever - 250SL from chassis #002980 & 280SL
- 72-2081 Window felt mount clip - inside
- 72-2082 Window felt mount clip - outside
- 72-2085 Window crank handle - All models
- 72-2086 Window crank handle pad - black - All models
- 72-2096L Chrome molding inside top of door - driver side - All models
- 72-2096R Chrome molding inside top of door - passenger side - All models
- 72-2103L Rubber door seal - driver side
- 72-2103R Rubber door seal - passenger side
- 72-2118 Mounting clip for molding on outside top of door - All models



72-2042L



72-2072

HOOD - ALL MODELS

- 46-0022 Hood badge
- 50-0028 Rubber hood bumper set - rear - 3 piece set
- 88-2001 Front hood
- 88-2002L Hood mount hinge - hood mount - driver side
- 88-2002R Hood mount hinge - hood mount - passenger side
- 88-2003L Hood mount hinge - body mount - driver side
- 88-2003R Hood mount hinge - body mount - passenger side
- 88-2007L Plastic hood torsion bar base plate - driver side
- 88-2007R Plastic hood torsion bar base plate - passenger side
- 88-2008 Hood catch - upper part
- 88-2009 Plastic hood torsion bar support base plate
- 88-2012 Hood bumper - closed position
- 88-2018 Hood safety catch
- 88-2020 Hood release cable
- 88-2022 Hood release handle
- 88-2023 Hood retaining strap
- 88-2025 Hood torsion bar

230SL 250SL 280SL CATALOG

FRONT GRILLE - ALL MODELS

- 88-2030 Complete grille assembly – original
- 88-2031 Outer grille shell - original
- 88-2032 Center star and barrel assembly
- 88-2034L Grille wing - driver side
- 88-2034R Grille wing - passenger side
- 88-2035L Grille screen - driver side
- 88-2035R Grille screen - passenger side



81-2020

TRUNK

- 75-2014 Trunk lock with keys - 230SL, 250SL & 280SL up to chassis #010355
- 75-2015 Trunk lock rubber base seal
- 75-2016 Trunk lid rubber seal
- 75-2017 Trunk lid star
- 75-2020 Trunk lid handle
- 75-2021 Trunk handle rubber base seal
- 75-2022 Trunk lid rubber bumper
- 81-2018 Trunk emblem "230SL"
- 81-2020 Trunk emblem "280SL"
- 81-2021 Trunk emblem "Automatic"
- 81-2022 Trunk emblem retaining clip
- 81-2023 Trunk emblem washer



75-2020



75-2017

BUMPERS

- 88-2010 Front bumper - driver side half - All models
- 88-2011 Front bumper - passenger side half - All models
- 88-2013 Front bumper joint cover - All models
- 88-2014 Front bumper mounting bracket - either side - All models
- 88-2015 Rear bumper - driver side half - All models
- 88-2016 Rear bumper - passenger side half - All models
- 88-2019L Front bumper guard - driver side - 250SL & 280SL
- 88-2019R Front bumper guard - passenger side - 250SL & 280SL
- 88-2021 Bumper guard underlay set - 250SL & 280SL
- 88-2040 Rear bumper guard - either side - 250SL & 280SL
- 88-2100 Front Bumper - Both sides and center joint cover - Reproduction set



88-2100

SUNVISORS

- 81-2013 Sun visor mount support clip - either side
- 81-2050L Sun visor - 230SL & 250SL up to chassis #002981 (off white color)
- 81-2050R Sun visor - 230SL & 250SL up to chassis #002981 (off white color)
- 81-2051L Sun visor - 250SL from chassis #002982 & 280SL (off white color)
- 81-2051R Sun visor - 250SL from chassis #002982 & 280SL (off white color)

230SL 250SL 280SL CATALOG

INTERIOR WOOD

- 68-2112 Wood radio speaker cover - Original, finished
- 68-2115 Wood molding on top of dash – two piece set - Original. finished
- 91-2040 Wood center console box - Original, finished
- 68-2116 Four piece set of Original, Finished wood set (2 dash, speaker & console)
- 68-2117 Right Hand Drive Wood molding-top of dash – two piece set - Original. finished



68-2112



91-2040

INTERIOR TRIM

- 68-2055L Door entrance molding - outside of door sill - driver side - All models
- 68-2055R Door entrance molding - outside of door sill - passenger side - All models
- 68-2056L Door entrance molding - inside of door sill - driver side - All models
- 68-2056R Door entrance molding - inside of door sill - passenger side - All models
- 68-2091 Glove box door lock with keys - 230SL, 250SL & 280SL up to chassis #010355
- 68-2129 Chrome ring around ignition switch - 230SL & 250SL up to chassis #002979
- 68-2130 Chrome ring around ignition switch - 250SL from chassis #002980 & 280SL
- 91-2025 Seat adjustment lever knob - black - 230SL

EXTERIOR CHROME / TRIM - ALL MODELS

- 69-2000 Chrome fender trim around wheel opening - All models
- 69-2015L Chrome strip on rear quarter panel - driver side
- 69-2015R Chrome strip on rear quarter panel - passenger side
- 69-2017L Chrome strip on front fender - driver side
- 69-2017R Chrome strip on front fender - passenger side
- 69-2017 Rubber insert for all chrome strips - per meter
- 69-2018L Aluminum trim strip on front fender - driver side
- 69-2018R Aluminum trim strip on front fender - passenger side
- 69-2019L Aluminum molding on rear quarter panel - driver side
- 69-2019R Aluminum molding on rear quarter panel - passenger side
- 69-2023L Chrome molding below trunk lid - driver side
- 69-2023R Chrome molding below trunk lid - passenger side
- 69-2024L Chrome strip for rear fender - driver side
- 69-2024R Chrome strip for rear fender - passenger side
- 72-2119L Aluminum molding on door - driver side
- 72-2119R Aluminum molding on door - passenger side
- 72-2123L Chrome trim strip on door - driver side
- 72-2123R Chrome trim strip on door - passenger side

230SL 250SL 280SL CATALOG

INTERIOR UPHOLSTERY - LEATHER

Our Mercedes Benz interiors are carefully hand crafted to ensure exact duplication of the original.

- 91-2001 Front seat cover - includes seat bottom & backrest
- 91-2002 Headrest cover

Leather is also available in bulk by the hide or half hide.

INTERIOR UPHOLSTERY - MB TEX VINYL

- 91-2007 Front seat cover - includes seat bottom & backrest
- 91-2008 Door panel kit
- 91-2009 Headrest cover

MB TEX vinyl is also available by the yard

INTERIOR UPHOLSTERY - SEAT CUSHIONS - ORIGINAL

- 91-2004L Seat bottom cushion - driver side - All models
- 91-2004R Seat bottom cushion - passenger side - All models
- 91-2010 Seat backrest cushion - either side - All models

CARPET SETS - COMPLETE - CUSTOM MADE

- 68-2040 Original German square weave carpet, bound in matching color.
Colors: red, tan, beige, charcoal, blue, & brown
- 68-2042 Original German two tone loop carpet, bound in matching color.
Colors: red, tan, brown, charcoal, blue, & brown

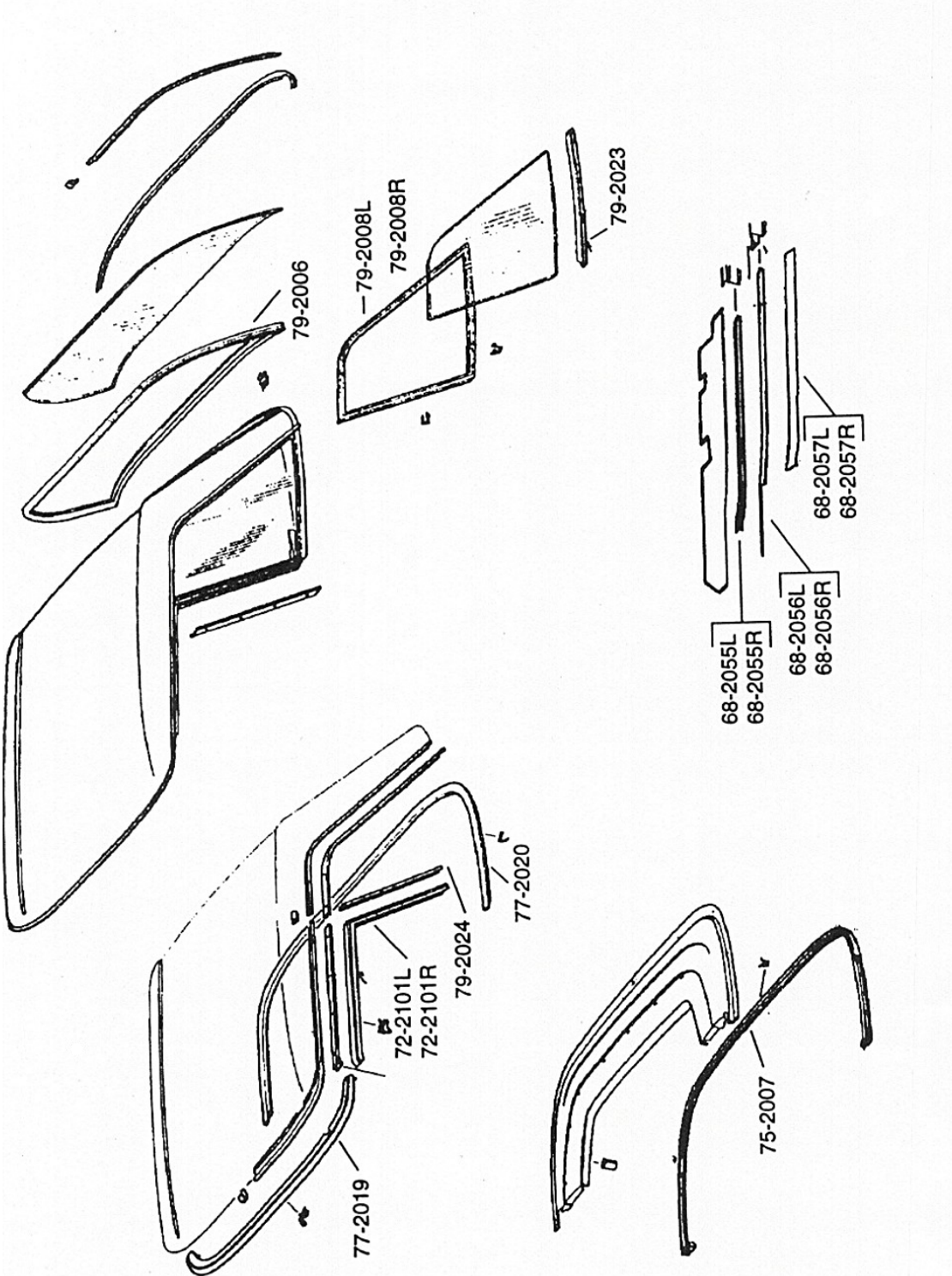
All carpet sets include the pieces for the seat backs.

CONVERTIBLE TOP - ALL MODELS

All convertible tops are custom made with hand rolled edges. Custom colors are available at an additional cost. All canvas tops have the original tan, German lining on the underside.

- 44-0053B Convertible top frame bow drill material - original - per yard
- 69-2006L Chrome convertible top frame end cover - driver side
- 69-2006R Chrome convertible top frame end cover - passenger side
- 72-2101L Side window glass seal - driver side
- 72-2101R Side window glass seal - passenger side.
- 75-2007 Convertible top cover lid seal
- 77-0059 Convertible top side tension cable - either side

230SL 250SL 280SL CATALOG



230SL 250SL 280SL CATALOG

77-2014	Original German canvas - Colors: tan, black, brown, and navy blue
77-2114	Sonnendeck canvas - Colors: tan, black, brown, and navy blue
77-2019	Front roof frame rubber seal
77-2020	Rear soft top frame rubber seal

HARDTOP - ALL MODELS

00-9027	Hardtop hoist
00-9029	Hardtop holder with cover - All models
72-2101L	Side window glass seal - driver side
72-2101R	Side window glass seal - passenger side
77-2019	Front roof frame seal
77-2031	Front handle for hard top lock
79-2003	Chrome molding joint cover - front - All models
79-2005	Chrome molding joint cover - either side - All models
79-2006	Rear window glass seal
79-2008L	Rear quarter glass seal - driver side
79-2008R	Rear quarter glass seal - passenger side
79-2012	Rear hardtop base to body seal
79-2017	Hardtop headliner - Color: off white, tan gray or black
79-2023	Weather strip for quarter glass - horizontal post
79-2024	Weather strip for quarter glass - vertical post
79-2034	Rear hardtop handle space ring
79-2035	Rear hardtop handle protective cap

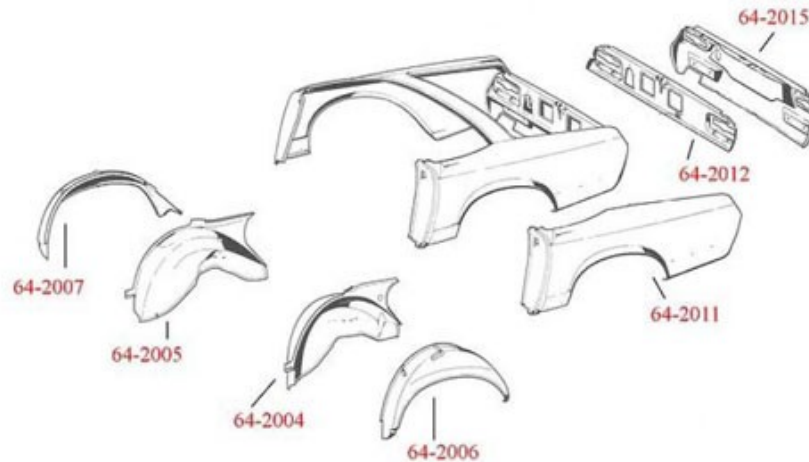
SHEETMETAL - BODY - FRONT SECTION

62-2015	Front bumper mount cross member - inner
62-2016	Front bumper mount cross member - outer
62-2018	Front nose panel reinforcement - upper
62-2031L	Front fender - driver side
62-2031R	Front fender - passenger side
62-2032	Front nose panel
62-2033	Headlight well - driver side
62-2034	Headlight well - passenger side
88-2005L	Rocker panel - driver side - from chassis #008769
88-2005R	Rocker panel - passenger side - from chassis #008769
88-2006L	Front fender rear panel shield - driver side
88-2006R	Front fender rear panel shield - passenger side

230SL 250SL 280SL CATALOG

SHEETMETAL - BODY - REAR SECTION

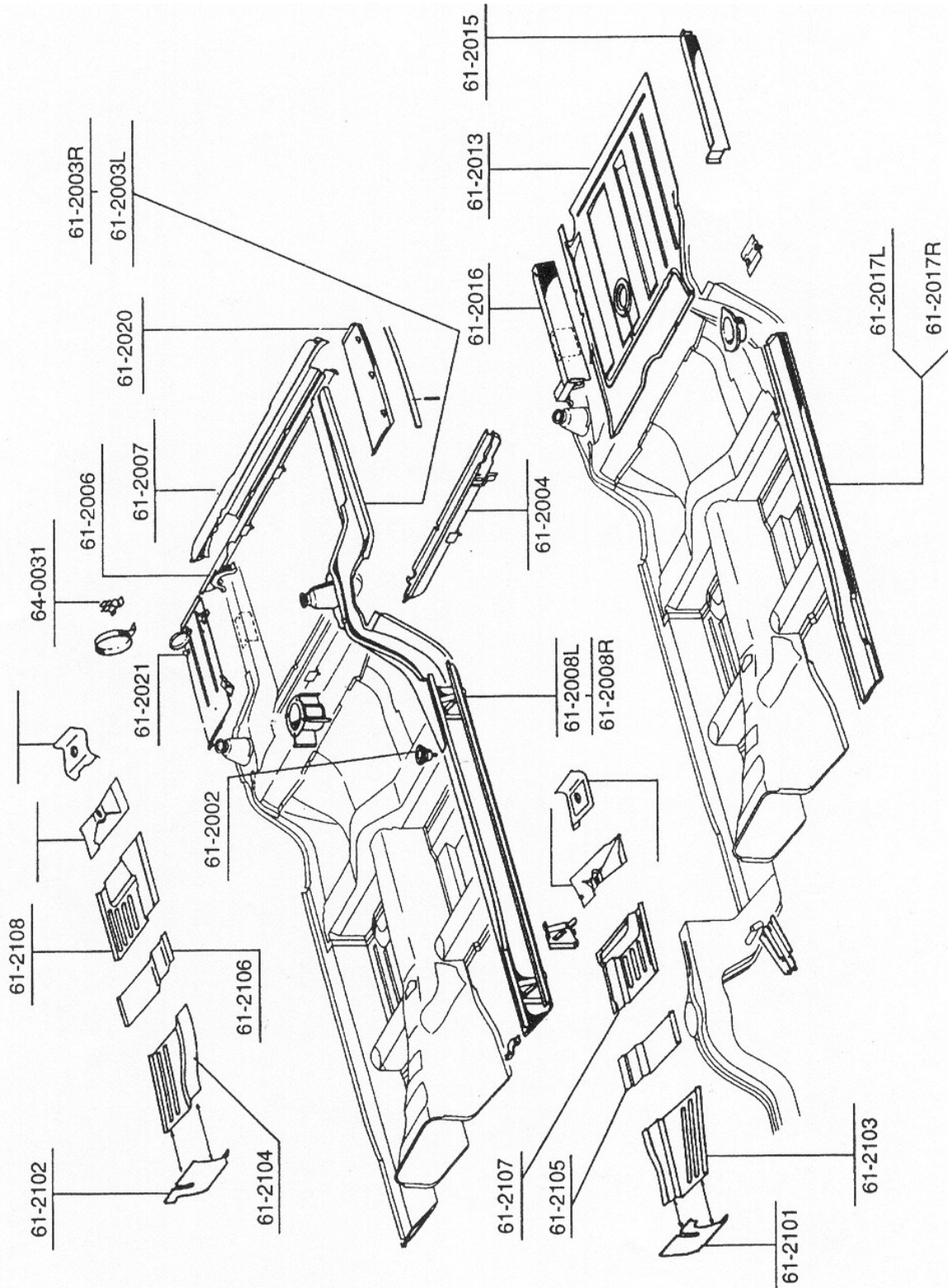
64-2011L	Rear fender - driver side
64-2011R	Rear fender - passenger side
64-2012	Rear inside tail panel
64-2015	Rear outside tail panel



SHEETMETAL - FLOOR / FRAME

61-2003L	Rear frame rail - driver side - includes shock tower
61-2003R	Rear frame rail - passenger side - includes shock tower
61-2008L	Frame rail - outer driver side - includes jack ports
61-2008R	Frame rail - outer passenger side - includes jack port
61-2013	Trunk floor - center
61-2017L	Upper frame rail cap - driver side
61-2017R	Upper frame rail cap - passenger side
61-2020	Trunk floor extension - driver side
61-2021	Trunk floor extension - passenger side
61-2101	Lower fire wall panel - driver side - lower 10"
61-2102	Lower fire wall panel - passenger side - lower 10"
61-2103	Front floor pan - driver side
61-2104	Front floor pan - passenger side
61-2105	Center floor pan - driver side
61-2106	Center floor pan - passenger side
61-2107	Rear floor pan - driver side
61-2108	Rear floor pan - passenger side
62-2037	Front frame support under front floors

230SL 250SL 280SL CATALOG





Miller's Inc. ORDER FORM

BILL TO:

NAME _____
 BUSINESS NAME _____
 ADDRESS _____
 ADDRESS _____
 CITY _____
 STATE _____ ZIP _____
 DAYTIME PHONE () _____
 E-MAIL ADDRESS _____

SHIP TO:

NAME _____
 BUSINESS NAME _____
 ADDRESS _____
 ADDRESS _____
 CITY _____
 STATE _____ ZIP _____
 DAYTIME PHONE () _____

Order By Internet
 www.millermbz.com

Order By Phone
 1 (800) 338-7787

International Customers Call
 1 (714) 557-0115

Order By Fax
 1 (928) 233-8966

Order By Mail
 Miller's Inc.
 1506 W Whispering Wind Dr
 Suite 120
 Phoenix, AZ 85085

This order is for a

Year _____ Model _____

Chassis # (if available)

Quantity	Item Number	Description	Color	Unit Price	Total

PAYMENT

____ Personal Check (Name, Address & Check number must be imprinted)
 (Check must be in U.S. funds on a U.S. Bank only)

Credit Card: ___ Visa ___ MasterCard ___ Discover ___ Amex
 (Domestic Billing address must be same as shipping address)

Name on Card _____

Card Number _____ Exp. _____ CSC _____

Signature _____

Subtotal

Sales Tax

Core De-

Shipping

TOTAL

SPECIAL INSTRUCTIONS

CREDIT CARD AUTHORIZATION FORM

To: **Millers Industries Inc.**
DBA. MILLER'S INC.
1506 W Whispering Wind Dr.
Suite 120
Phoenix, AZ 85085

I hereby give my authorization for your company to debit my Visa/American Express/Discover/ MasterCard listed below for any telephone/fax/email request for the purchase of any parts related to my orders.

NAME/COMPANY NAME (As it appears on the card)

CURRENT BILLING ADDRESS

Address: _____
City: _____ State/Province: _____ ZIP Code: _____
Country: _____

SHIP TO ADDRESS: (Circle here if same as above)

Address: _____
City: _____ State/Province: _____ ZIP Code: _____
Country: _____

CREDIT CARD INFORMATION:

Card Type: Visa/MasterCard/American Express/Discover/Other _____
Card Number: _____
Expiration Date: _____
CSC Number: AMEX 4 digit on front side / 3 digit on back side _____

This Agreement shall remain in effect until revoked in writing

Signature: _____ Date: _____

*This form is required if your order is **NOT** shipped to your billing address*

How to Find Us

Miller's Inc in Arizona



1506 W Whispering Wind Dr #120
Phoenix, AZ 85085

Open M-F 8am-5pm



714-557-0115



sales@millermbz.com



928-233-8966



www.millermbz.com